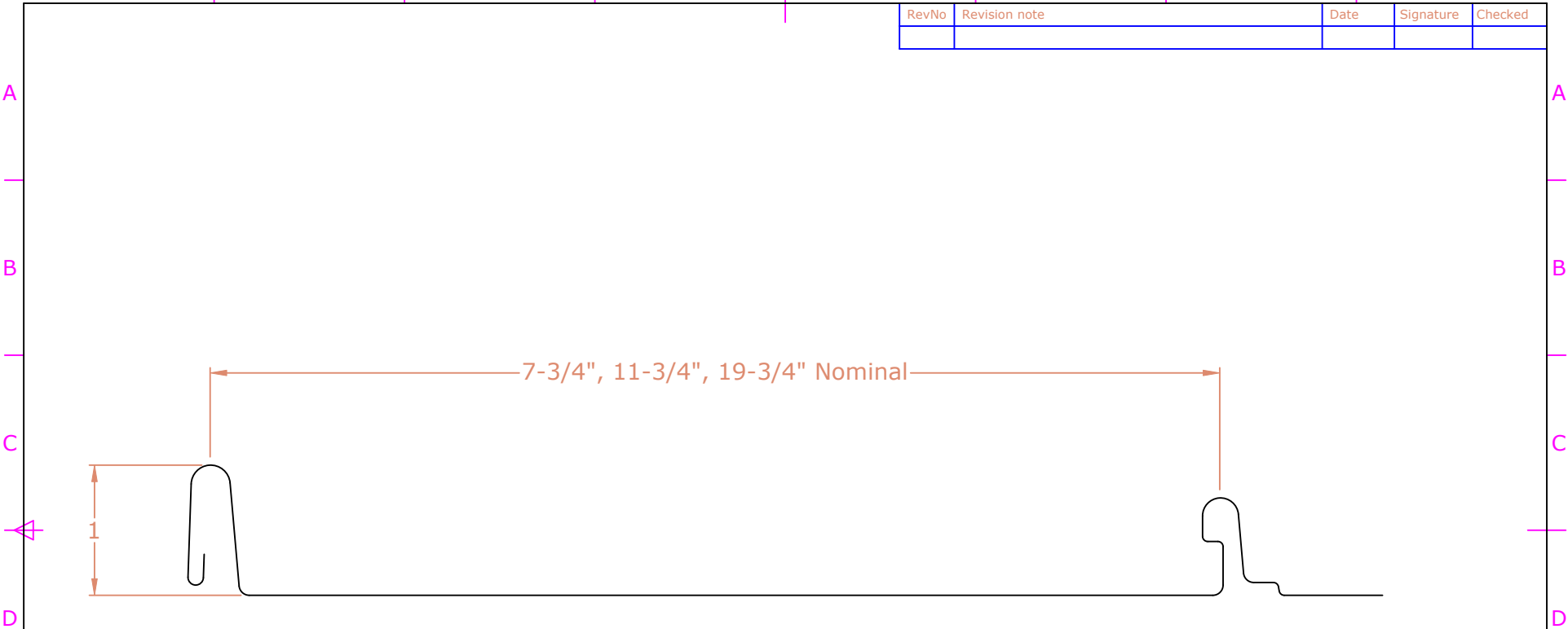


RevNo	Revision note	Date	Signature	Checked



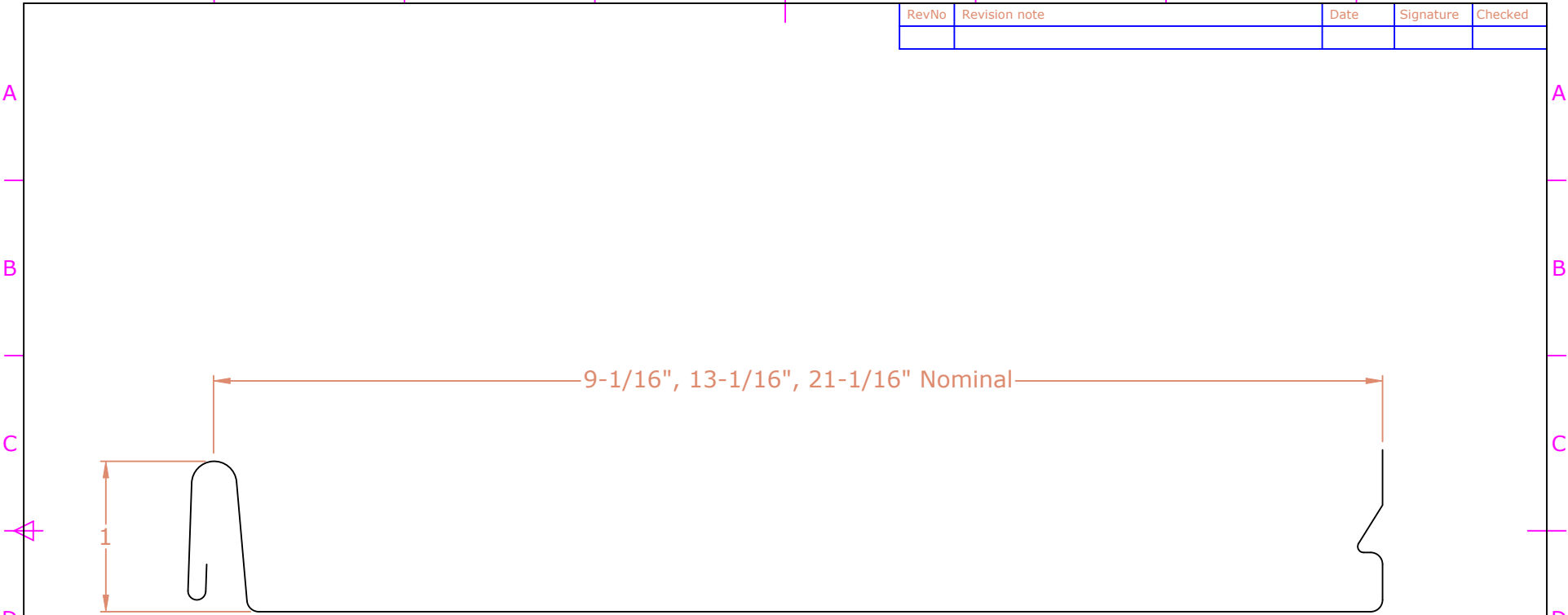
Available with or without striations
 Max Recommended Length: 20'
 Minimum Slope: 3:12

ALL DIMENSIONS IN INCHES

Drawn by: Josh Woodland	Approved by - date APPROVED_BY_DATE	File name FILE_NAME	Date 1/30/2017	Scale: NTS
Woody's Sheet Metal 6583 Supply Wy, Boise, ID, 83634 208-344-0103		1" Nail Strip Panel		Revision 0
		DWG.NO.:	Sheet 1/4	

This drawing and design is the property of Woody's Sheet Metal. It may not be used for any purpose other than by the owner. Woody's Sheet Metal does not authorize the reproduction or conveyance of any information contained herein without prior written permission.

RevNo	Revision note	Date	Signature	Checked



Available with or without striations
 Minimum Slope: 3:12

ALL DIMENSIONS IN INCHES

Drawn by: Josh Woodland	Approved by - date APPROVED_BY_DATE	File name FILE_NAME	Date 1/30/2017	Scale: NTS
----------------------------	--	------------------------	-------------------	---------------

This drawing and design is the property of Woody's Sheet Metal.
 It may not be used for any purpose other than by the owner.
 Woody's Sheet Metal does not authorize the reproduction or conveyance
 of any information contained herein without prior written permission.

Woody's Sheet Metal 6583 Supply Wy, Boise, ID, 83634 208-344-0103	1" Snaplock Panel
DWG.NO.:	Revision 0
	Sheet 2/4

1 2 3 4 5 6 7 8

A

B

C

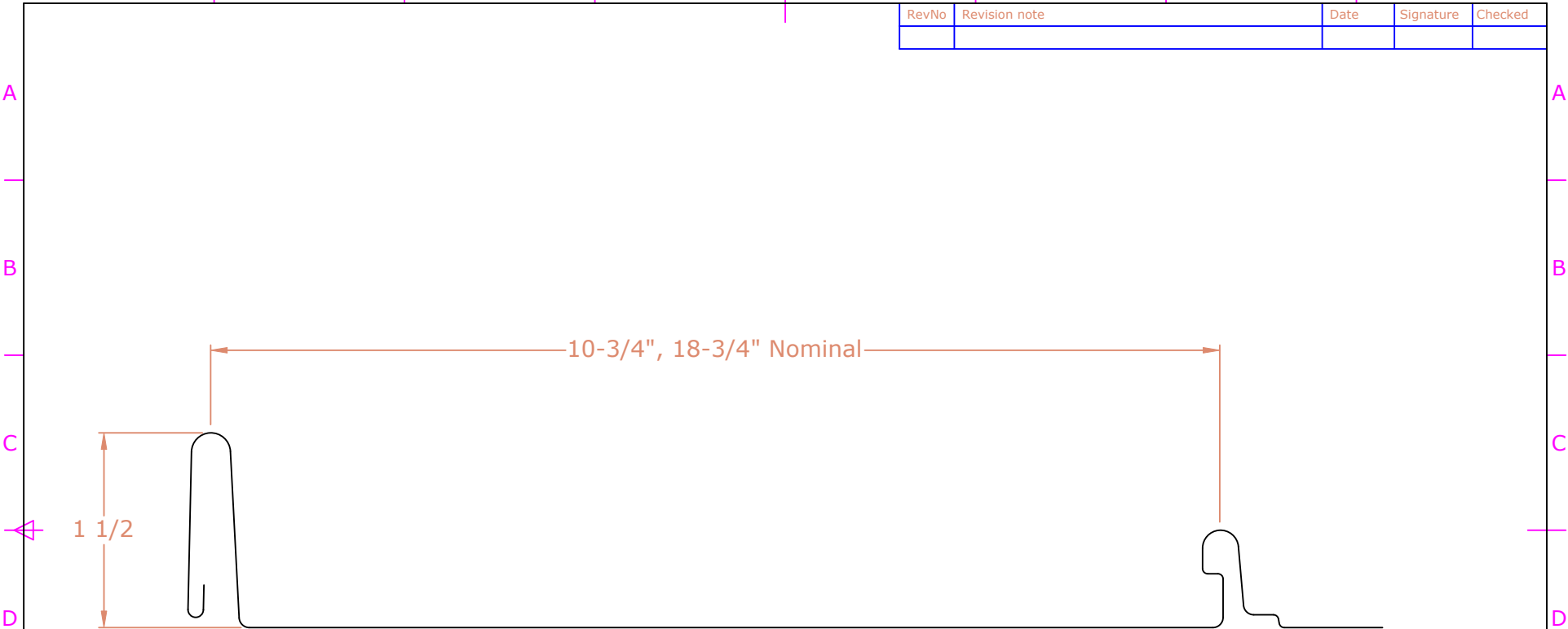
D

E

F

1 2 3 4 5 6 7 8

RevNo	Revision note	Date	Signature	Checked

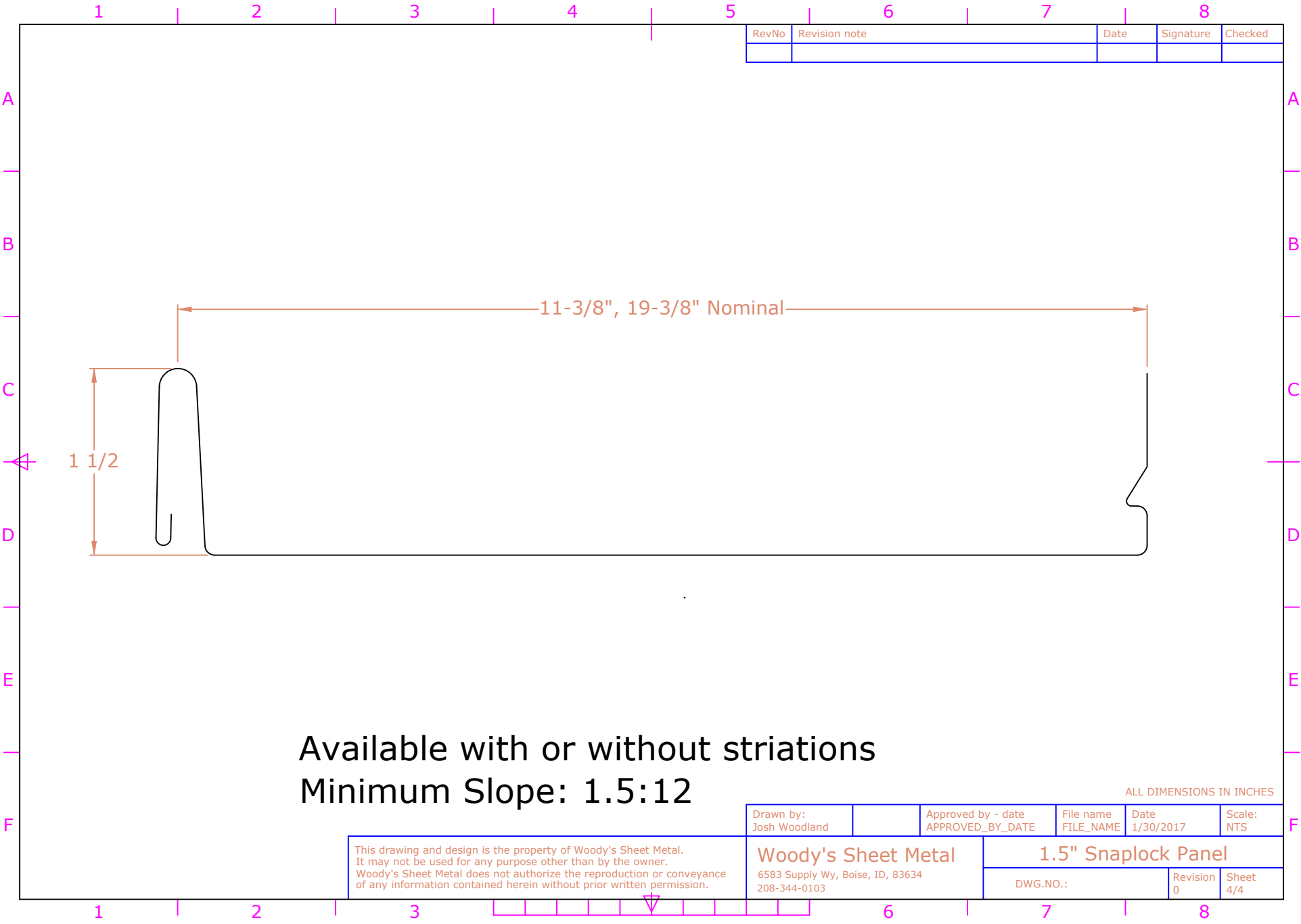


Available with or without striations
 Max Recommended Length: 20'
 Minimum Slope: 1.5:12

ALL DIMENSIONS IN INCHES

Drawn by: Josh Woodland	Approved by - date APPROVED_BY_DATE	File name FILE_NAME	Date 1/30/2017	Scale: NTS
----------------------------	--	------------------------	-------------------	---------------

This drawing and design is the property of Woody's Sheet Metal. It may not be used for any purpose other than by the owner. Woody's Sheet Metal does not authorize the reproduction or conveyance of any information contained herein without prior written permission.	Woody's Sheet Metal 6583 Supply Wy, Boise, ID, 83634 208-344-0103		1.5" Nail Strip Panel	
	DWG.NO.:		Revision 0	Sheet 3/4



RevNo	Revision note	Date	Signature	Checked

11-3/8", 19-3/8" Nominal

1 1/2

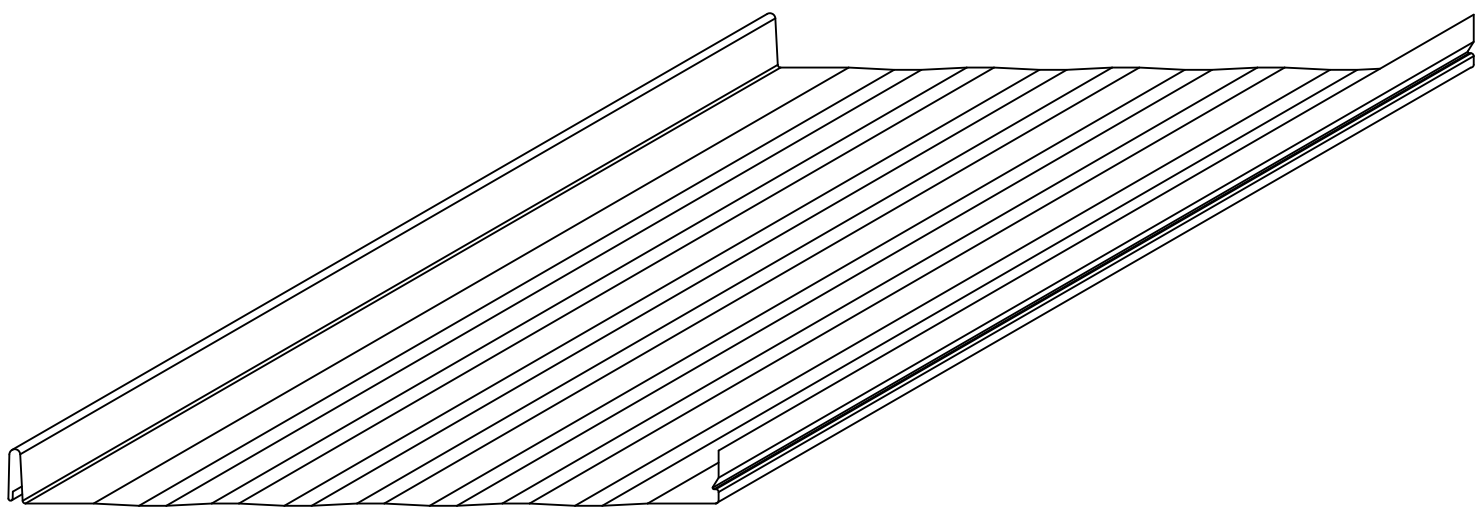
Available with or without striations
 Minimum Slope: 1.5:12

ALL DIMENSIONS IN INCHES

Drawn by: Josh Woodland	Approved by - date APPROVED_BY_DATE	File name FILE_NAME	Date 1/30/2017	Scale: NTS
Woody's Sheet Metal 6583 Supply Wy, Boise, ID, 83634 208-344-0103		1.5" Snaplock Panel		
		DWG.NO.:	Revision 0	Sheet 4/4

This drawing and design is the property of Woody's Sheet Metal. It may not be used for any purpose other than by the owner. Woody's Sheet Metal does not authorize the reproduction or conveyance of any information contained herein without prior written permission.

RevNo	Revision note	Date	Signature	Checked



Striations added to reduce visible "oil-canning"

- Recommended for relatively wide panels (~14" - 16" and wider)
- Can be added to any of the standing seam panel profiles (1.5" Snaplock shown)

ALL DIMENSIONS IN INCHES

Drawn by: Josh Woodland	Approved by - date APPROVED_BY_DATE	File name FILE_NAME	Date 1/30/2017	Scale: NTS
----------------------------	--	------------------------	-------------------	---------------

This drawing and design is the property of Woody's Sheet Metal. It may not be used for any purpose other than by the owner. Woody's Sheet Metal does not authorize the reproduction or conveyance of any information contained herein without prior written permission.	Woody's Sheet Metal 6583 Supply Wy, Boise, ID, 83634 208-344-0103		Panel Striations	
	DWG.NO.:		Revision 0	Sheet 3/4