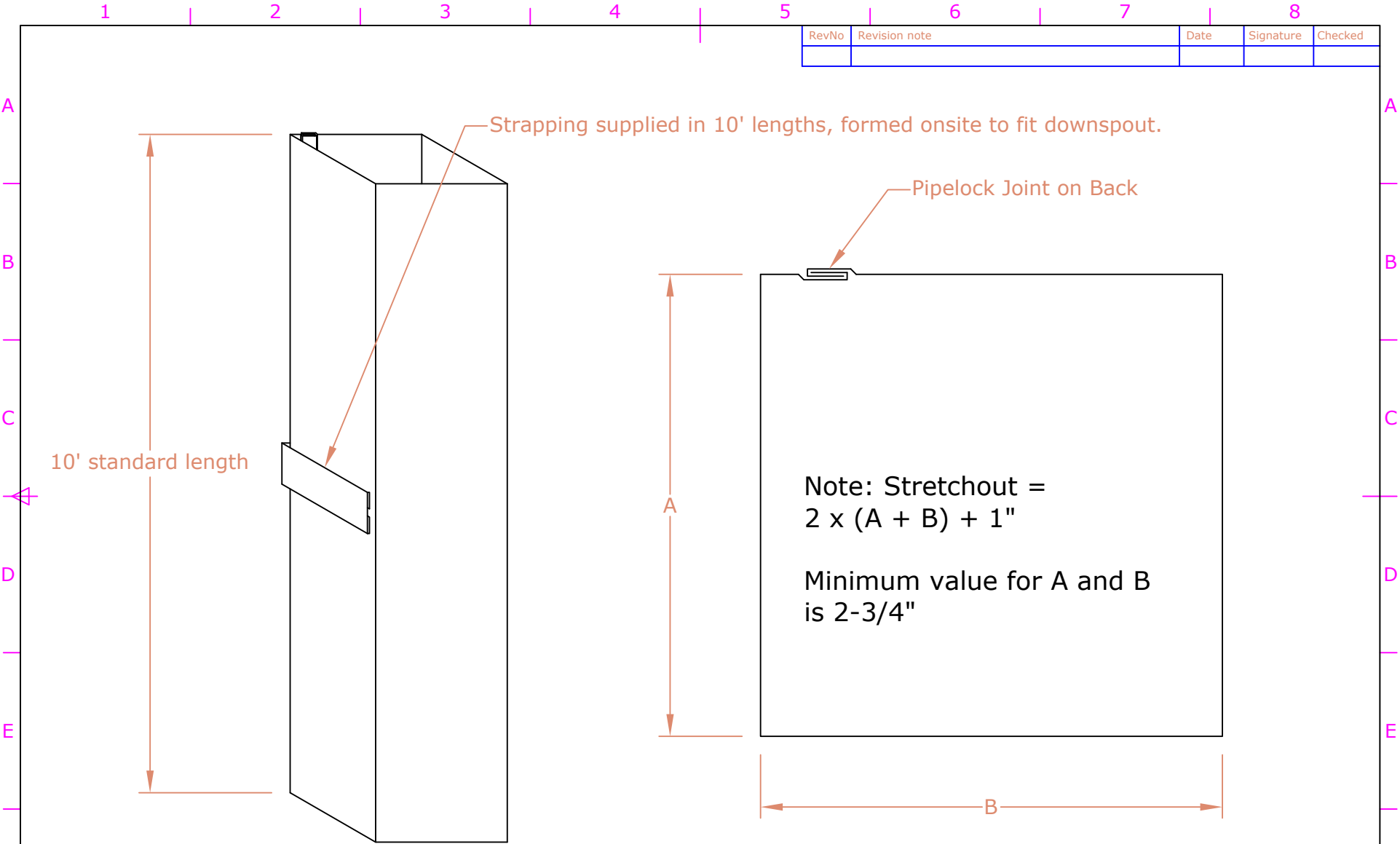


RevNo	Revision note	Date	Signature	Checked



ALL DIMENSIONS IN INCHES

Drawn by: Josh Woodland	Approved by - date APPROVED_BY_DATE	File name FILE_NAME	Date 1/25/2018	Scale: NTS
Woody's Sheet Metal 6583 Supply Wy, Boise, ID, 83634 208-344-0103		DOWNSPOUT		Revision 0
				DWG.NO.:

This drawing and design is the property of Woody's Sheet Metal. It may not be used for any purpose other than by the owner. Woody's Sheet Metal does not authorize the reproduction or conveyance of any information contained herein without prior written permission.

